

mimSAFE

www.mimsafe.com



ASSEMBLY INSTRUCTIONS

VARIOCAGE

double

GENERAL

VarioCage is made for transport of dogs in vehicle. The VarioCage is made of splinter proof and energy absorbing materials. The telescopic construction maximizes the space for your dog. The Built-in deformation zone reduces the risk of back, neck and head injuries to the rear seat passengers in case of accident. VarioCage has undergone rigorous crash tests. It's design-protected and made of galvanized steel painted with a very weather-

resistant polyurethane paint suitable for its use. Shockproof in all directions, VarioCage is crash-tested for frontal collision situations, rear-end collision and roll over, which is world-unique. The product comes with straps for easy installation. Lockable door with gas spring helps holding the door open when needed.



IMPORTANT

BEFORE YOU BEGIN

Ensure that you work on a flat surface. If the VarioCage is assembled indoors, protect the floor with a blanket or carpet to avoid damage during assembly. Read the instruction carefully before you begin, it gives you a better understanding when you work step by step during the assembly. You can assemble the VarioCage by yourself, but it helps a lot to be two during some of the assembly steps.

RECOMMENDED AREA OF USE

VarioCage should be installed behind the rear seat of the car.

CRASH TEST

This model is crash tested at Rise Research Institutes of Sweden AB. VarioCage is crash tested according to the SPCT (SafePetCrateTest) method making it the market's safest dog cage for SUV, estate and hatchback cars with the cage installed against the rear set. The crash pulse used is according to ECE Regulation No. 17. Test protocol is available from the manufacturer on request.

DAILY INSPECTION

- Make sure the VarioCage is intact
- That there's no sharp edges
- That the door lock works
- Check that it is attached to the vehicle's cargo loops

CLEANING

Use a soft cloth with water and mild soap.

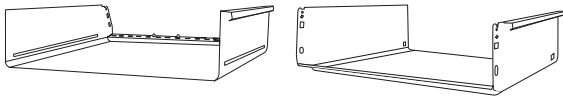
The story of MIMsafe

For more than 30 years, MIMsafe has worked with functional design and manufacturing of safety products for the modern automotive industry. With documentation from hundreds of crash tests and in close collaboration with the major car manufacturers, safe products have been developed and transformed into knowledge. Under the well-known brand name MIMsafe, we have become the leading manufacturer of crash tested and crush proofed non-whiplash dog cages all over the world.

MANUFACTURER

MIM Construction AB
Kardanvägen 80
461 38 Trollhättan
Sweden

+46 10 55 00 450
info@mimsafe.com
www.mimsafe.com

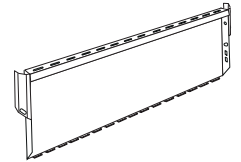
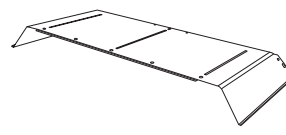
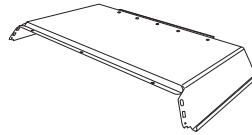
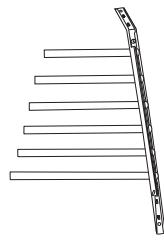
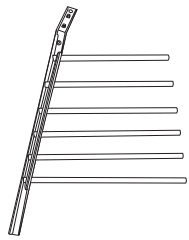
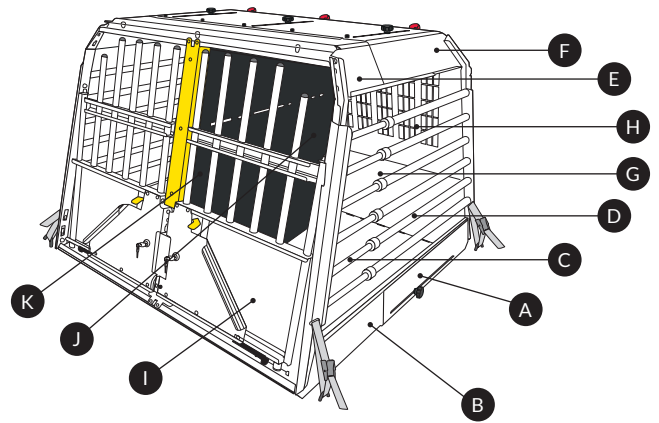


A Floor Rear

B Floor Front

00377		1X
00383		
00361		
00362		
00364		
00365		
00382		
00369		
Product no	No of items	

00377		1X
00383		
00361		
00362		
00364		
00365		
00382		
00369		
Product no	No of items	



Sidebar **C**

Sidebar **D**

Roof Front **E**

Roof Rear **F**

Lower Panel **G**

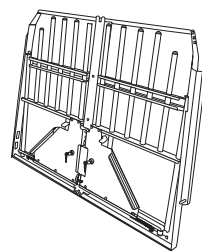
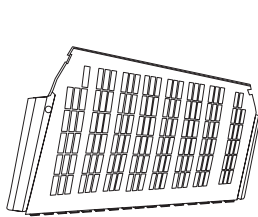
00377	X4	2X
00383	X5	
00361	X5	
00362	X6	
00364	X6	
00365	X6	
00382	X7	
00369	X8	
Product no	Pipes	No of items

00377	X4	2X
00383	X5	
00361	X5	
00362	X6	
00364	X6	
00365	X6	
00382	X7	
00369	X8	
Product no	Pipes	No of items

00377		1X
00383		
00361		
00362		
00364		
00365		
00382		
00369		
Product no	No of items	

00377		1X
00383		
00361		
00362		
00364		
00365		
00382		
00369		
Product no	No of items	

00377		1X
00383		
00361		
00362		
00364		
00365		
00382		
00369		
Product no	No of items	



Escape Hatch **H**

Door Section **I**

Divider Rear **J**

Divider Front **K**

00377		1X
00383		
00361		
00362		
00364		
00365		
00382		
00369		
Product no	No of items	

00377		1X
00383		
00361		
00362		
00364		
00365		
00382		
00369		
Product no	No of items	

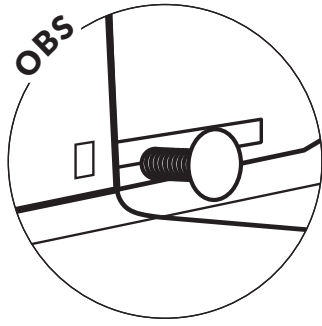
00377		1X
00383		
00361		
00362		
00364		
00365		
00382		
00369		
Product no	No of items	




00377		1X
00383		
00361		
00362		
00364		
00365		
00382		
00369		
Product no	No of items	

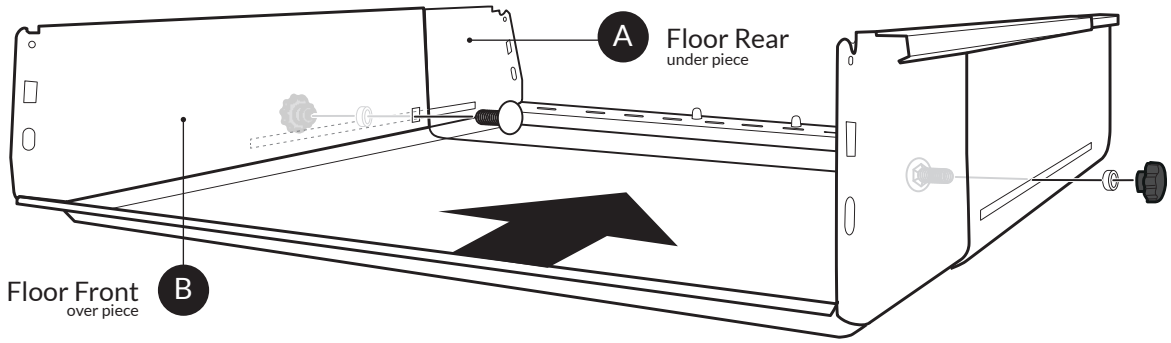
ASSEMBLY KIT IS DIMENSIONED FOR THE LARGEST CAGE, FOR SMALLER CAGES YOU HAVE MORE PARTS THAN YOU NEED

<p>M-460641D 18X</p> <p>rubber</p>	<p>M-SM6X14IA 24X</p>	<p>M-SM6X12 2X</p>	<p>M-460641AQ 3X</p> <p>red</p>	<p>ALLEN KEY 4 1X</p>	<p>M-B251,56,5SLD 4X</p> <p>Ø25mm</p>	<p>M-460641AY</p> <p>00377 8X 00383 10X 00361 10X 00362 12X 00364 12X 00365 12X 00382 14X 00369 16X</p> <p>rubber end caps</p>	<p>M-460641BA</p> <p>00377 8X 00383 10X 00361 10X 00362 12X 00364 12X 00365 12X 00382 14X 00369 16X</p> <p>plastic end caps</p>
<p>M-R3015M5S 6X</p>	<p>M-B1646,2SLD 6X</p> <p>Ø13mm</p> <p>plastic</p>	<p>M-VBM5X16 6X</p>	<p>M-10240 4X</p>		<p>M-BR6X19X1S 4X</p> <p>Ø19mm</p>		

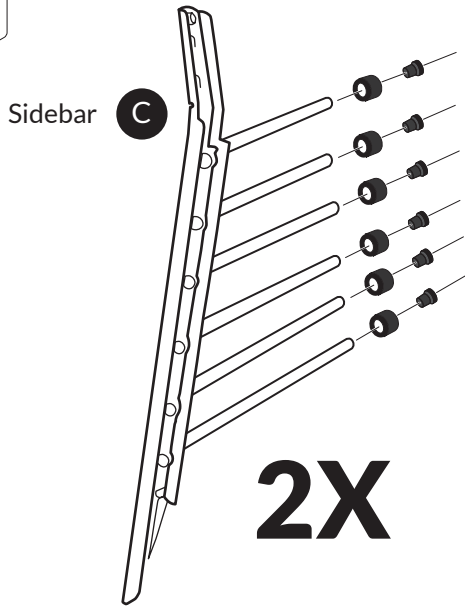
STEP
1



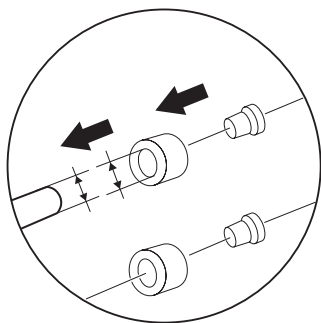
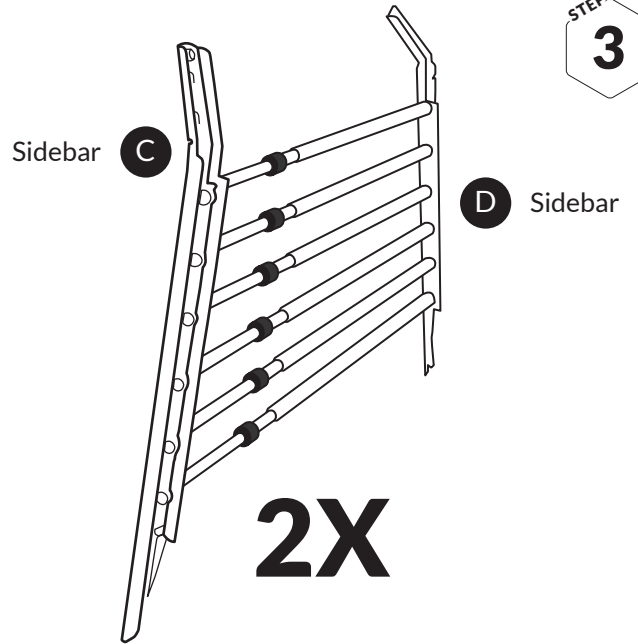
M-R3015M5S 2X 	M-B1646,2SLD 2X Ø13mm plastic 	M-VBM5X16 2X 
---	--	--





STEP
2

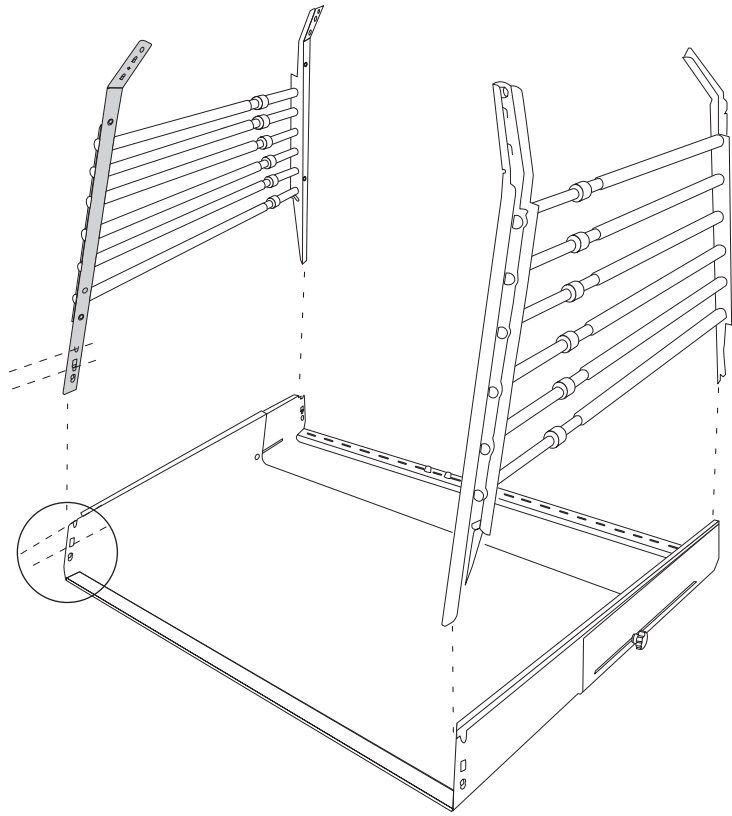
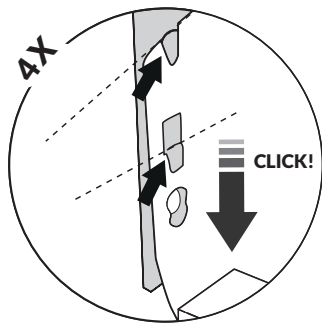


STEP
3



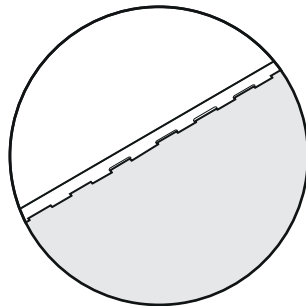
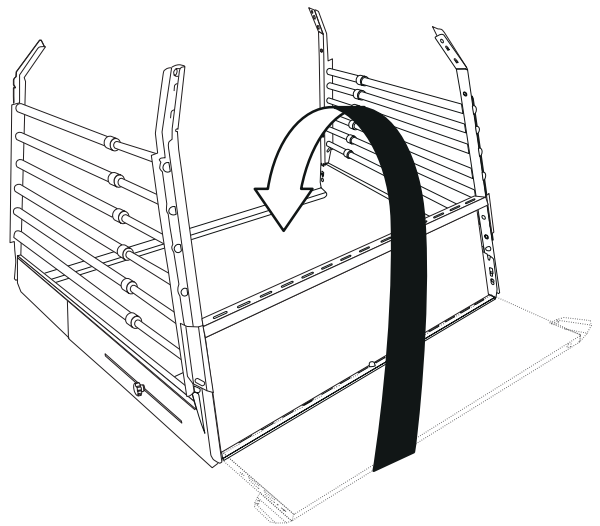
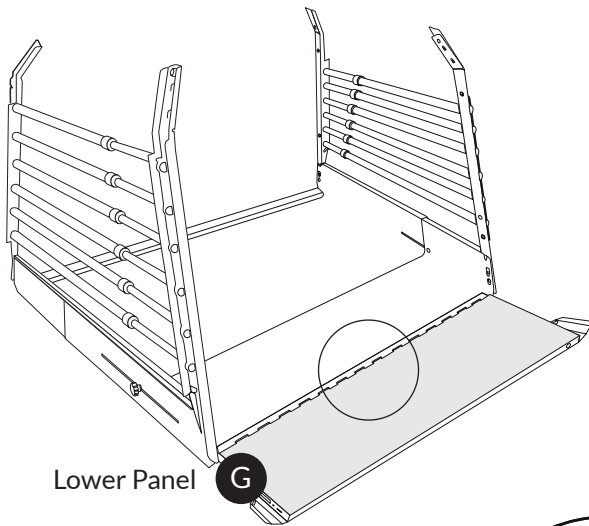
M-460641AY		M-460641BA	
			
00377	8X	00377	8X
00383	10X	00383	10X
00361	10X	00361	10X
00362	12X	00362	12X
00364	12X	00364	12X
00365	12X	00365	12X
00382	14X	00382	14X
00369	16X	00369	16X
rubber end caps		plastic end caps	

STEP
4

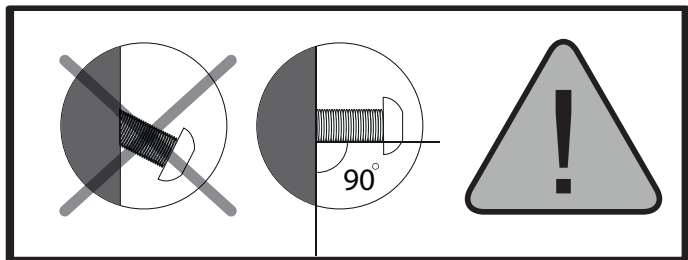
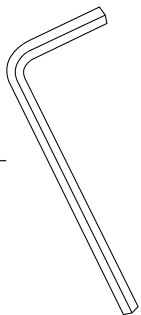
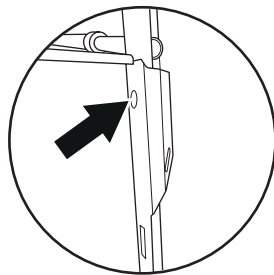
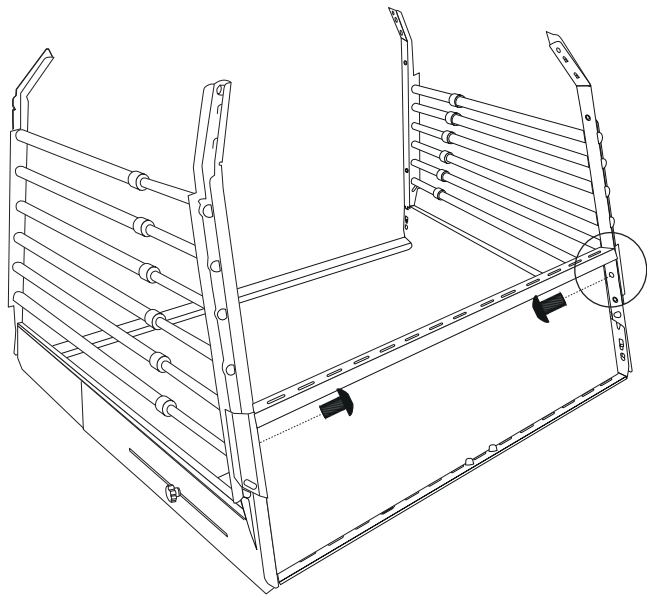


STEP
5

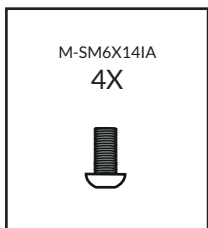
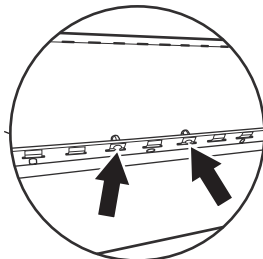
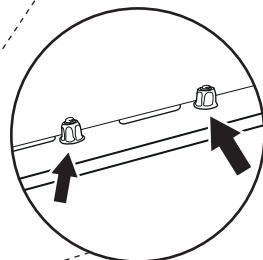
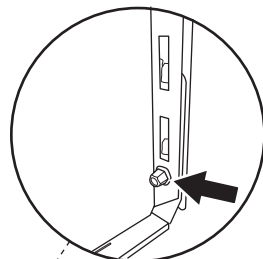
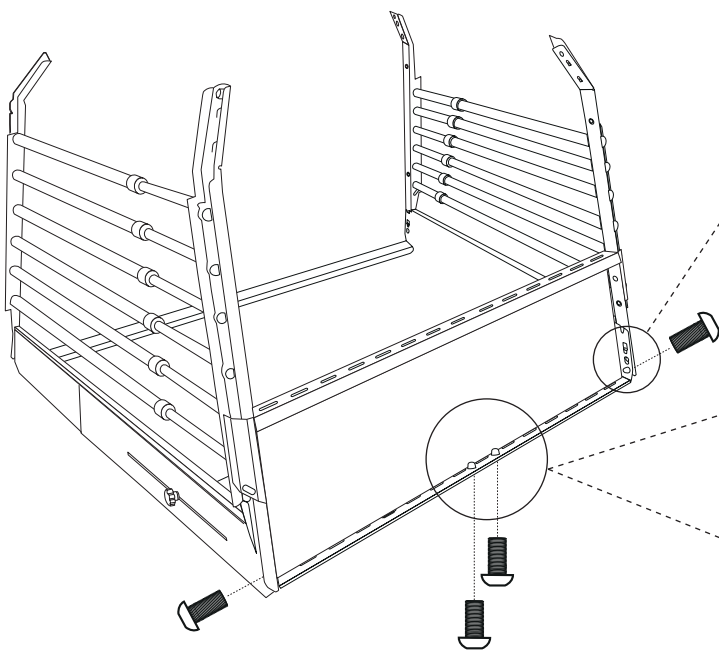
180°



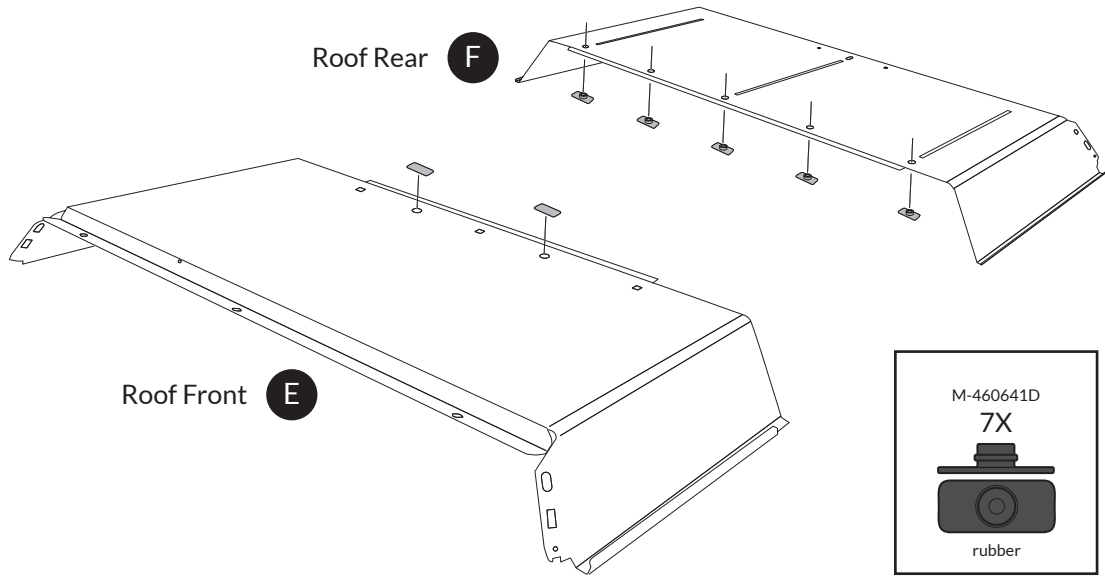
STEP
6



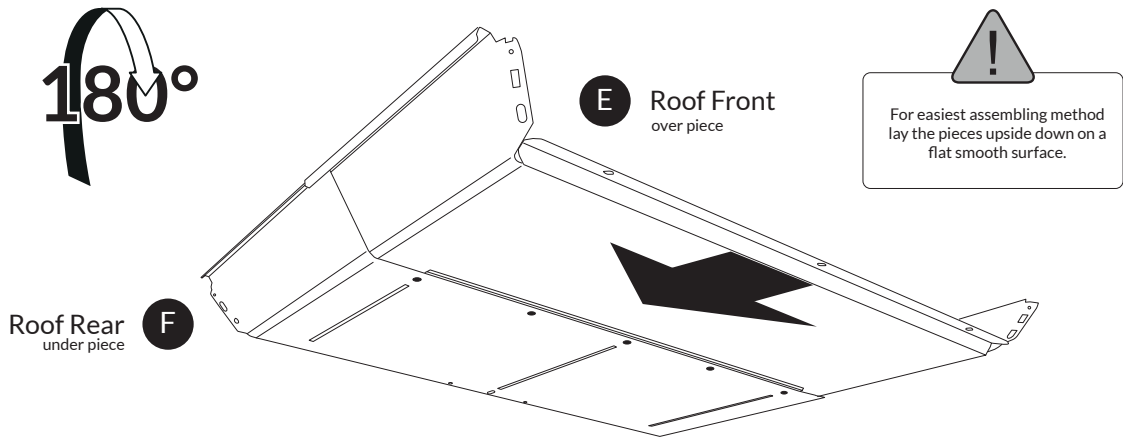
STEP
7



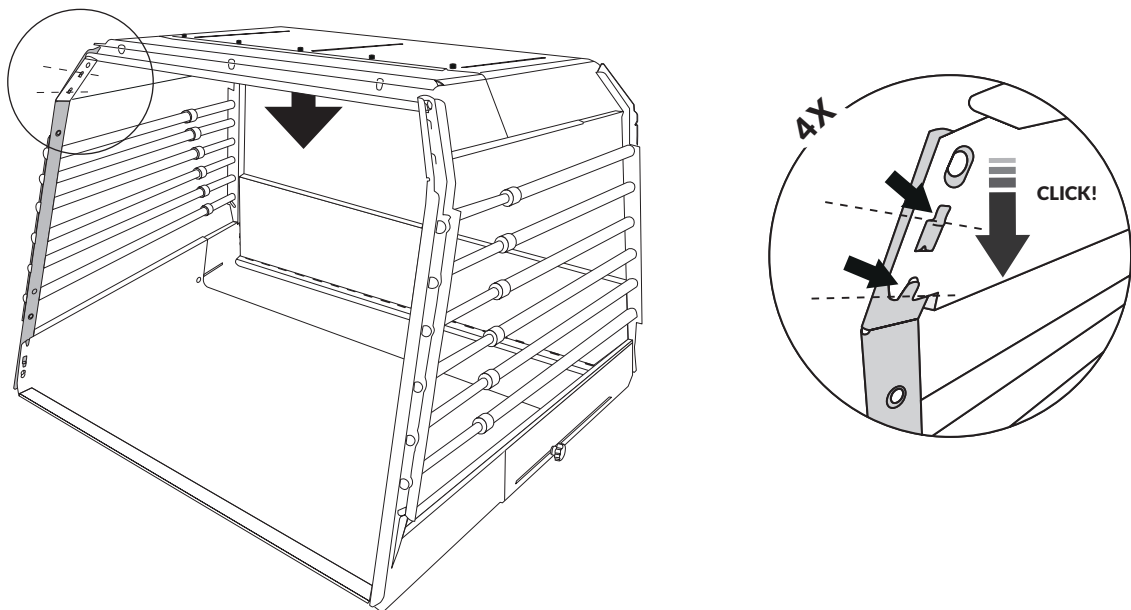
STEP
8



STEP
9


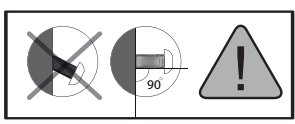
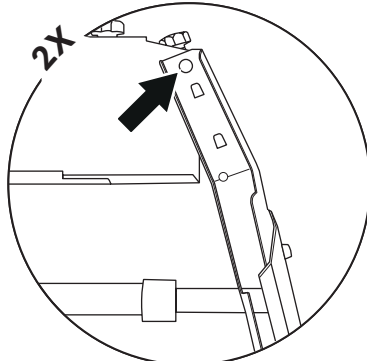
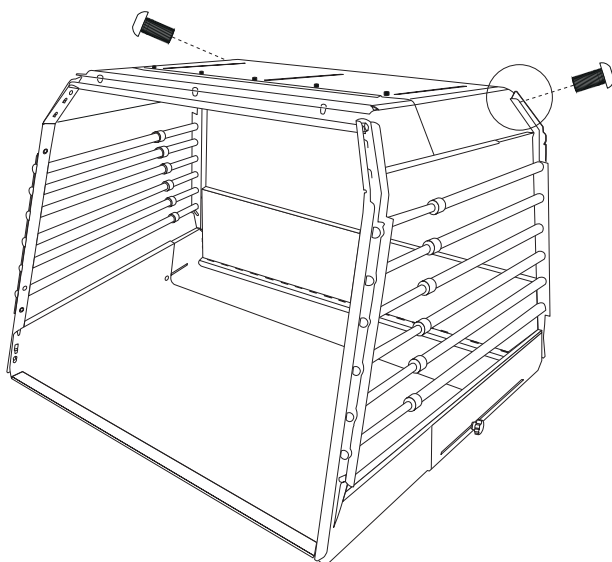


STEP
10

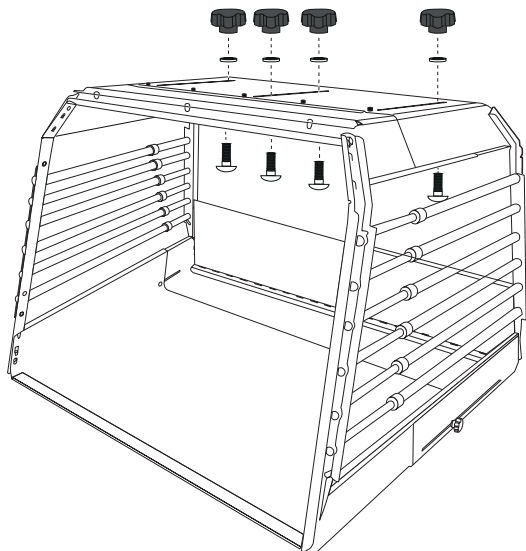





STEP
11

M-SM6X14IA
2X

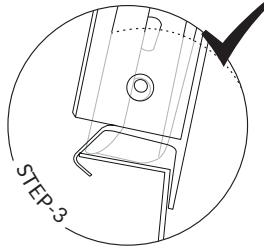
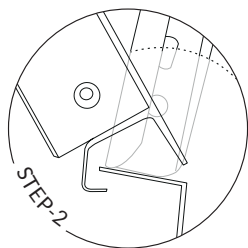
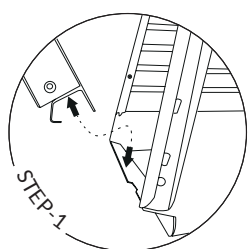
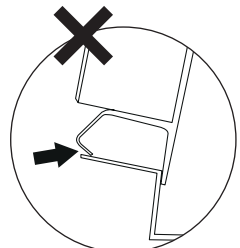
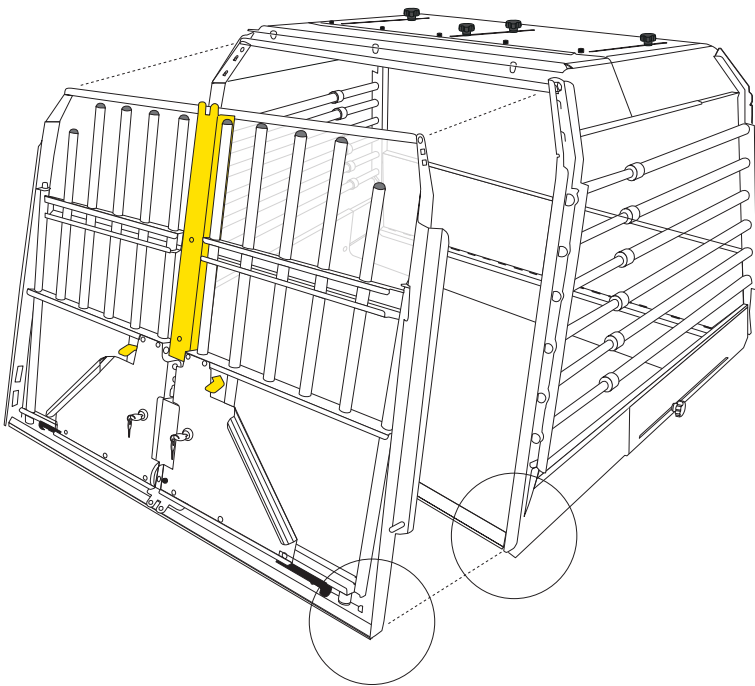



STEP
12

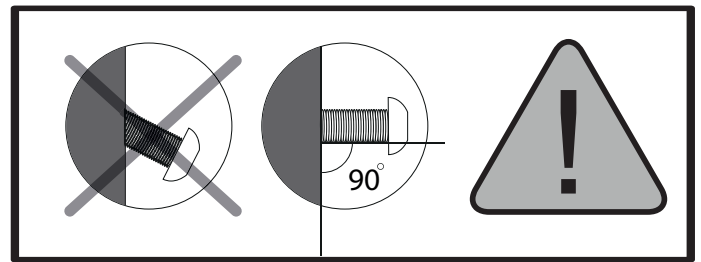
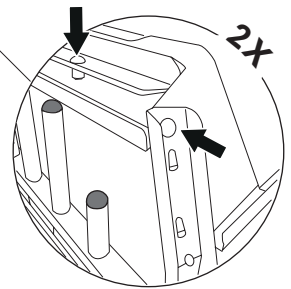
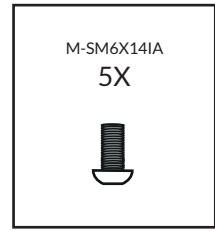
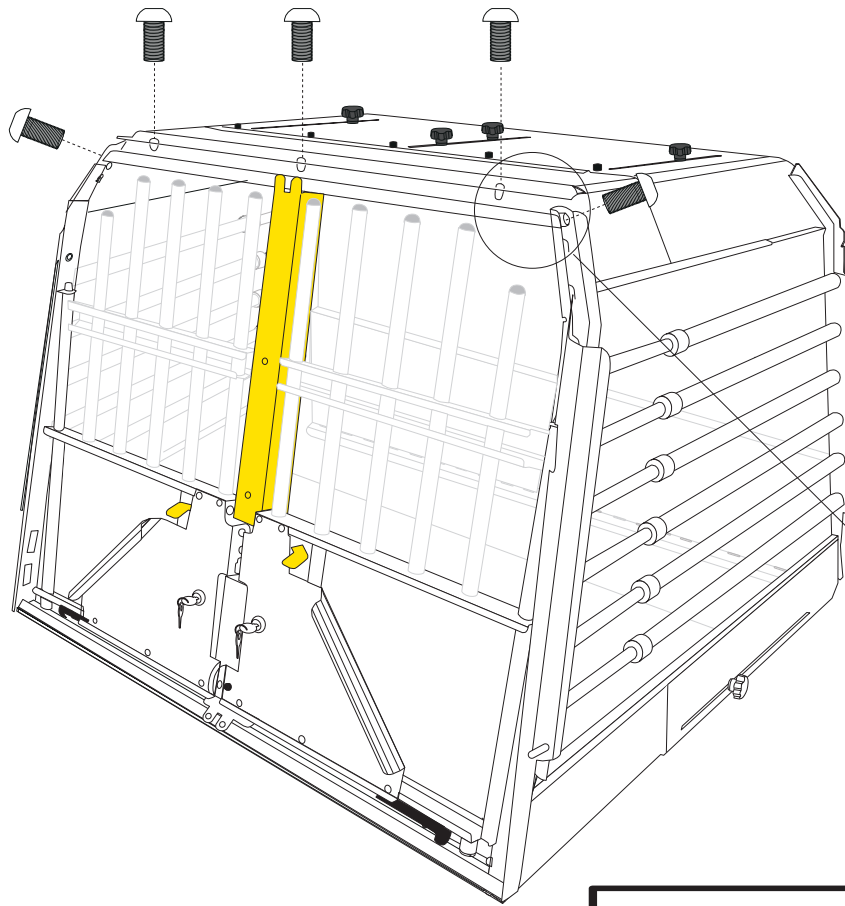


M-R3015M5S 4X	M-B1646.2SLD 4X Ø13mm plastic	M-VBM5X16 4X
		

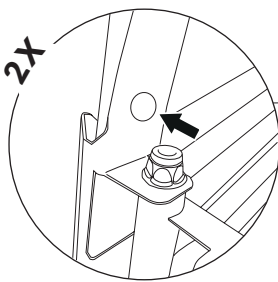
STEP
13



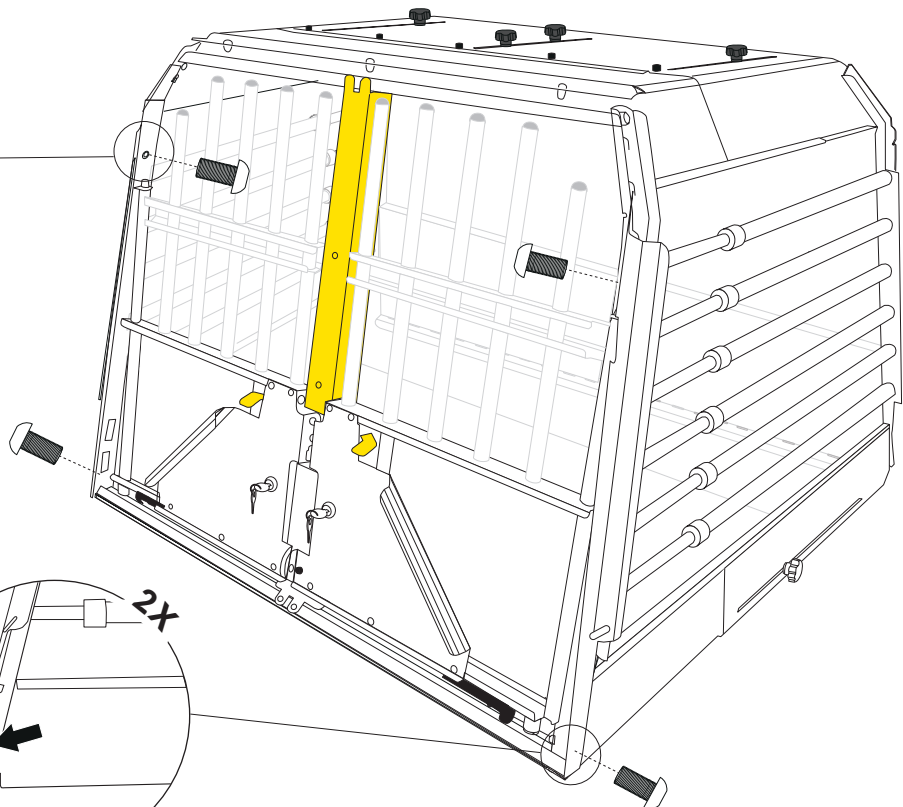
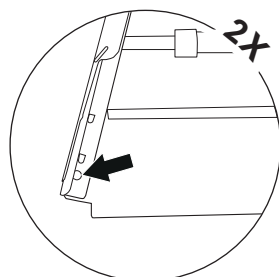
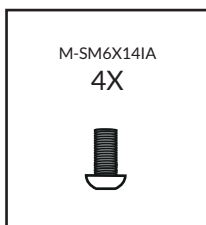
STEP
14



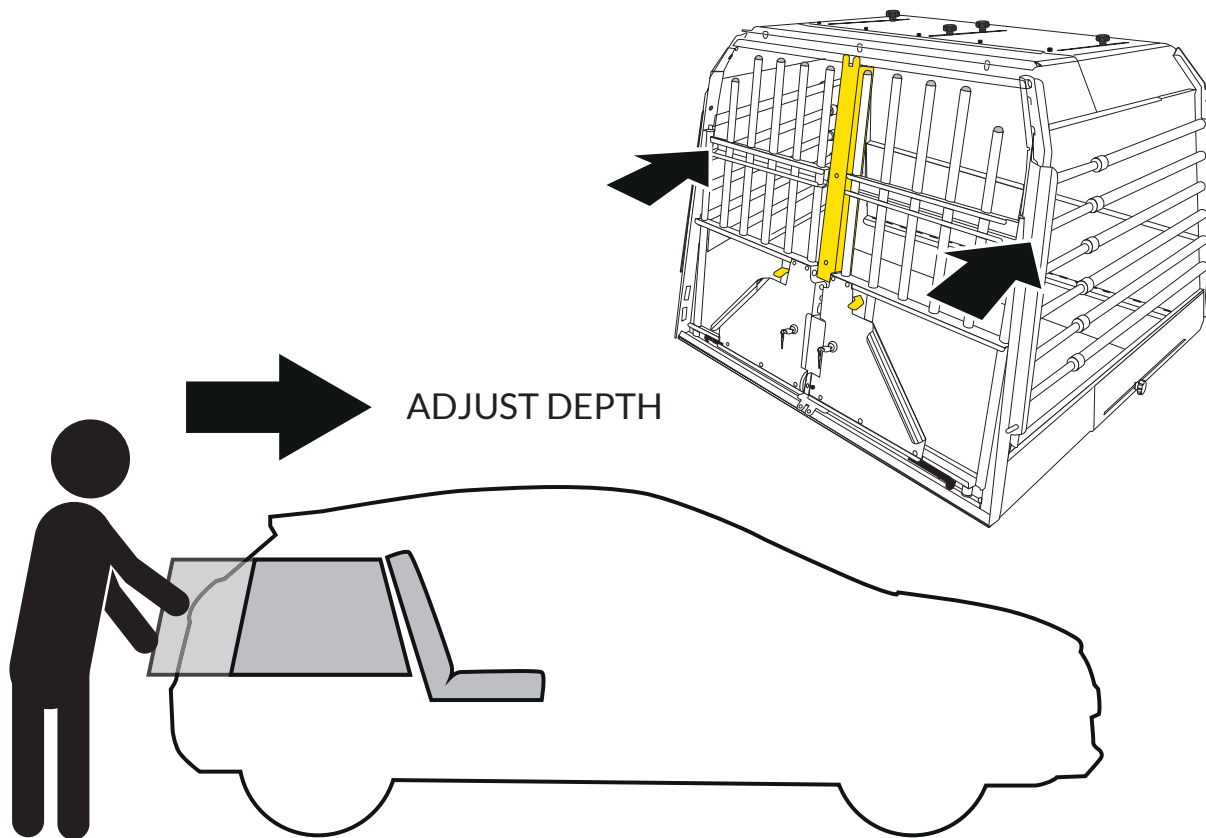
STEP
15



Open the doors
before installing
these screws

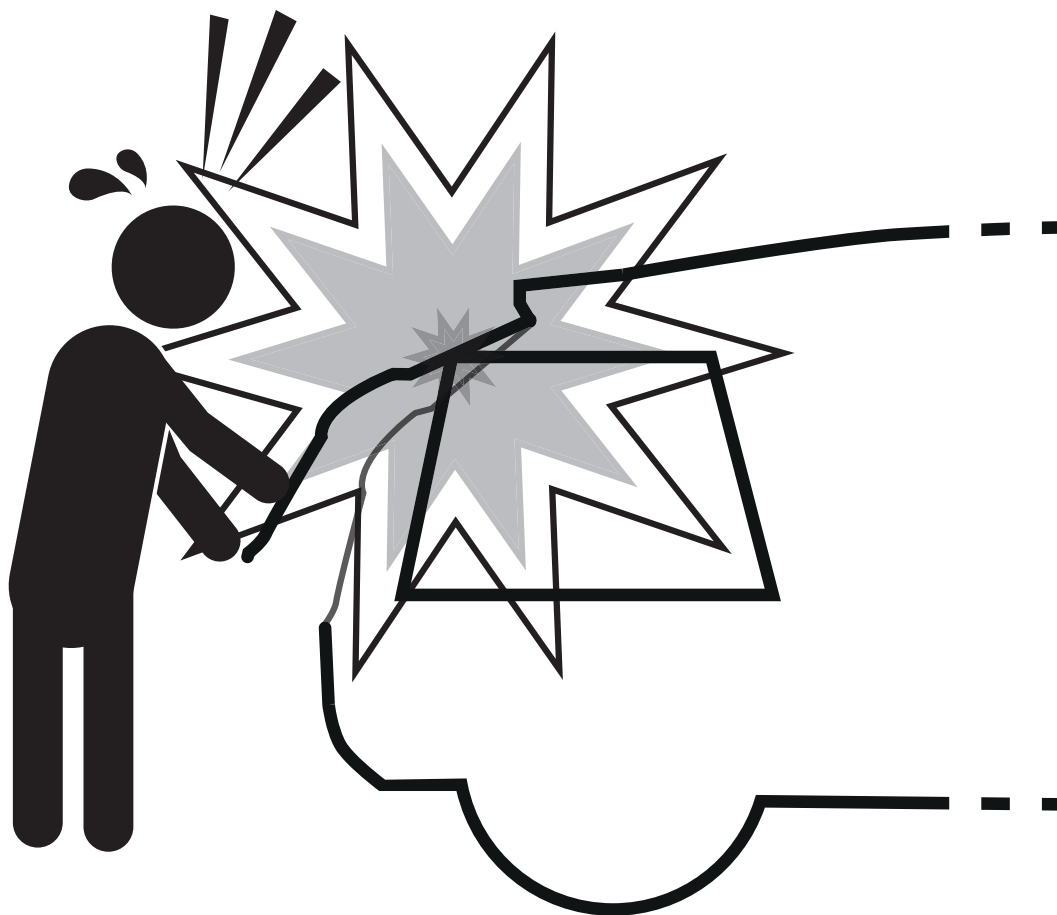


STEP
16

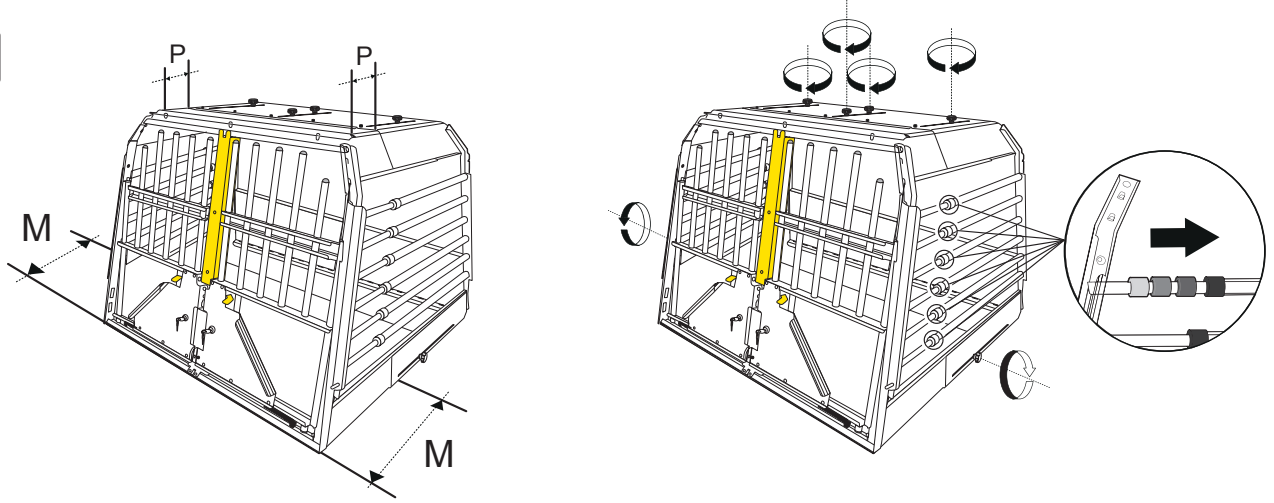


STEP
17

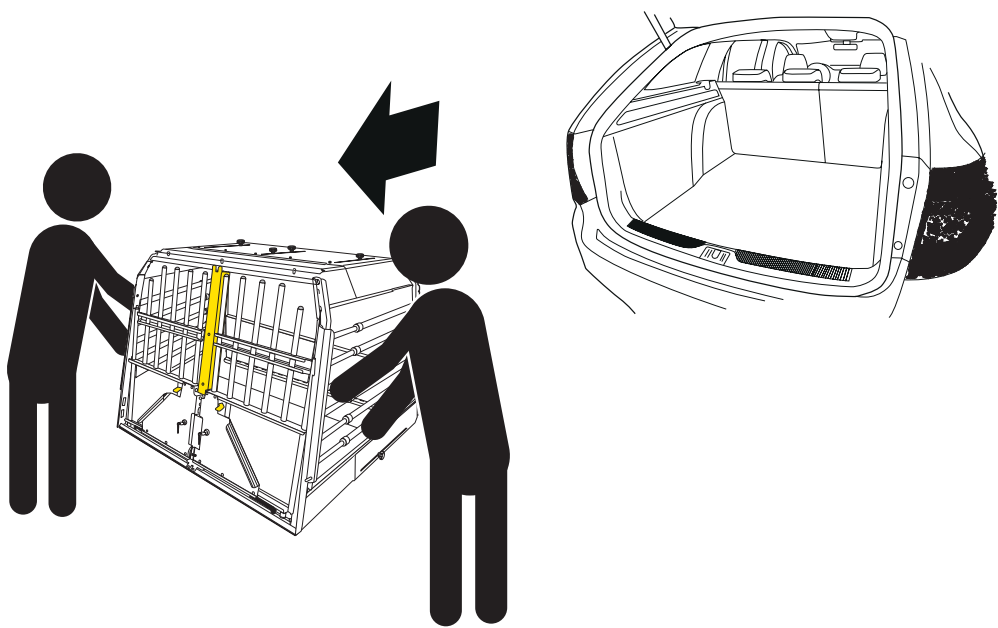
WARNING!



STEP
18



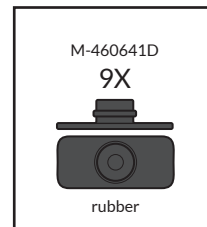
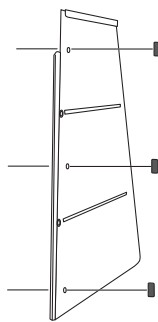
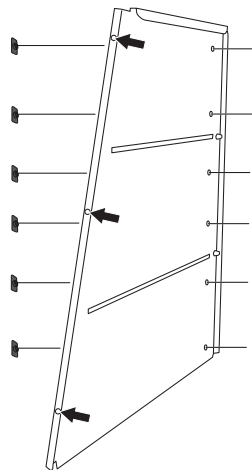
STEP
19



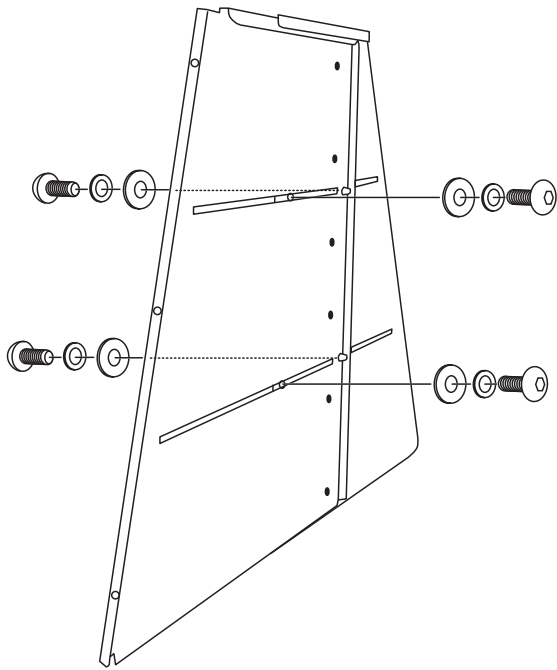
STEP
20




K Divider Front

J Divider Rear

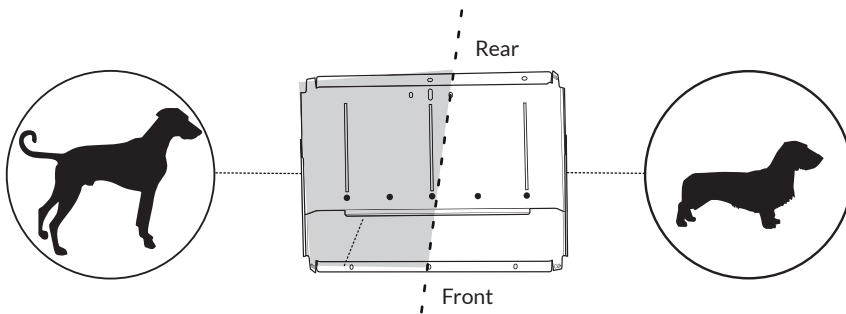



STEP
21



<p>M-SM6X14IA 4X</p> 	<p>M-BR6X19X1S 4X Ø19mm</p> 	<p>M-B251,56,5SLD 4X Ø25mm</p> 
--	---	--

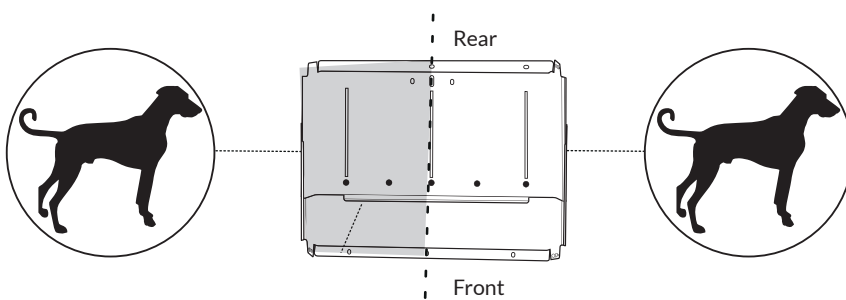
STEP
22






If you got different size of dogs they might need different size of room in the cage.

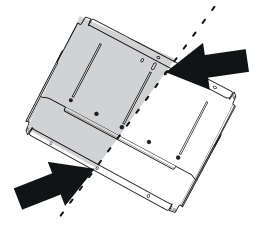
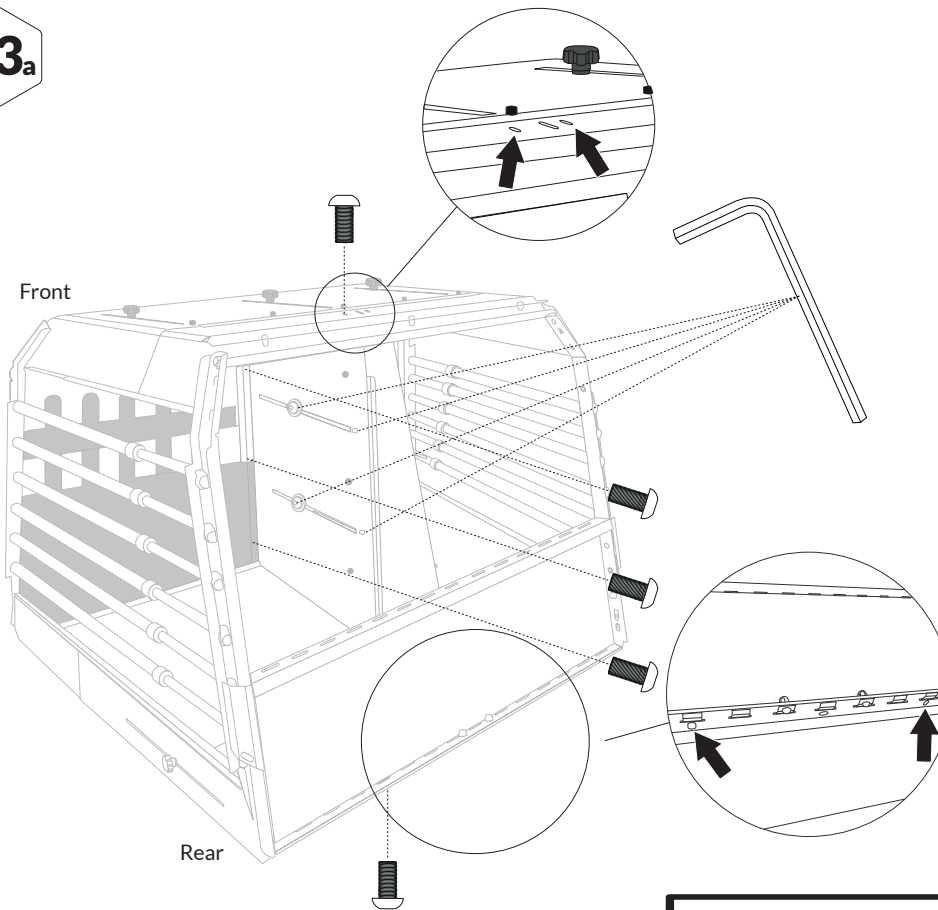
Divider is fixed in the front of and bottom of cage only top is adjustable.





If you got same size of dogs they could have equal size of room in the cage.

STEP
23a



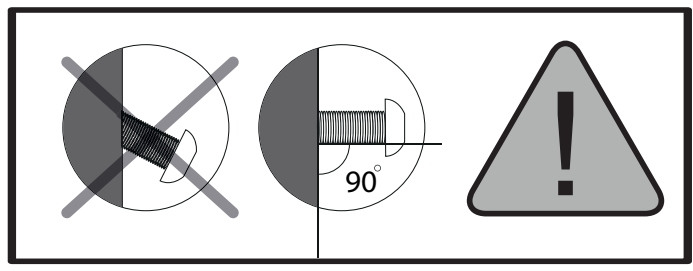
M-SM6X14IA
5X

!

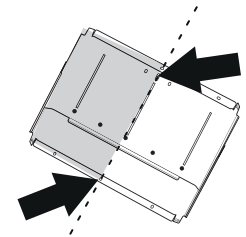
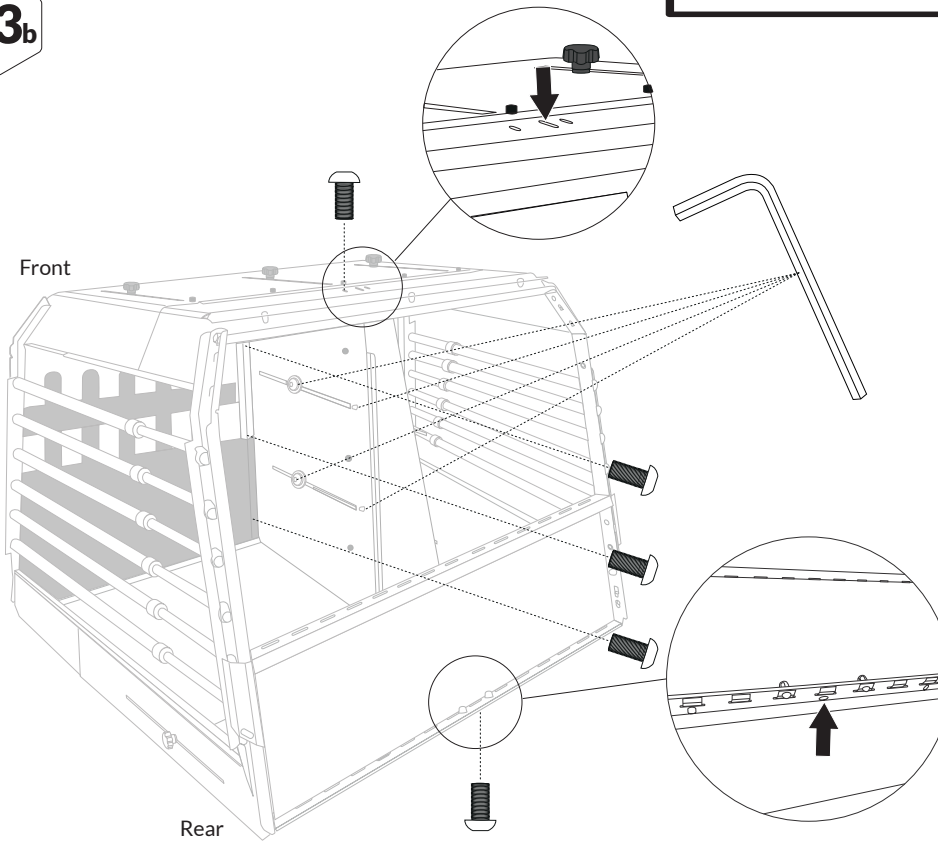
For a cage with different size dogs. Put two screws at top. At the rear either to the left or right.

Also two screws at the bottom of the cage. At the rear either to the left or the right.

Tighten screws in panel.



STEP
23b



M-SM6X14IA
5X

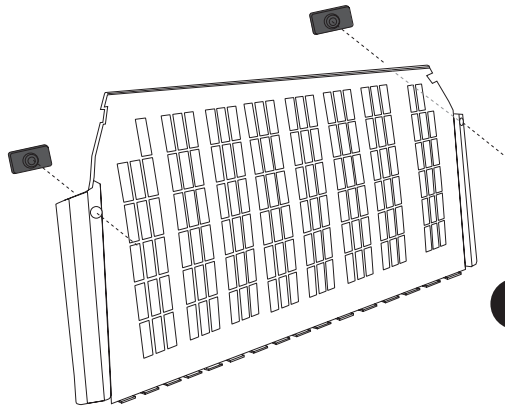
!

For a cage with equal size dogs. Put two screws at top. In the middle.

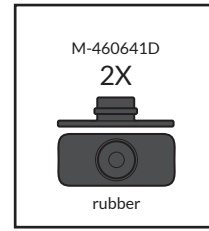
Also two screws at the bottom of the cage. In the middle.

Tighten screws in panel.

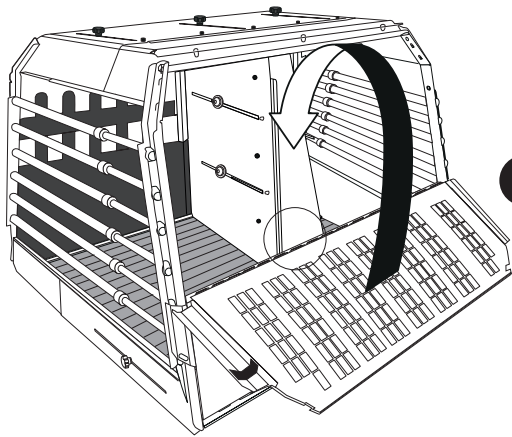
STEP
24



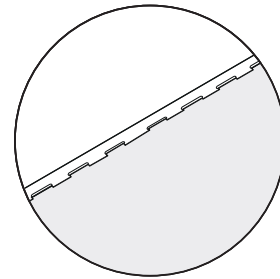
H Escape Hatch



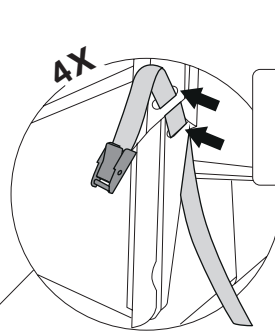
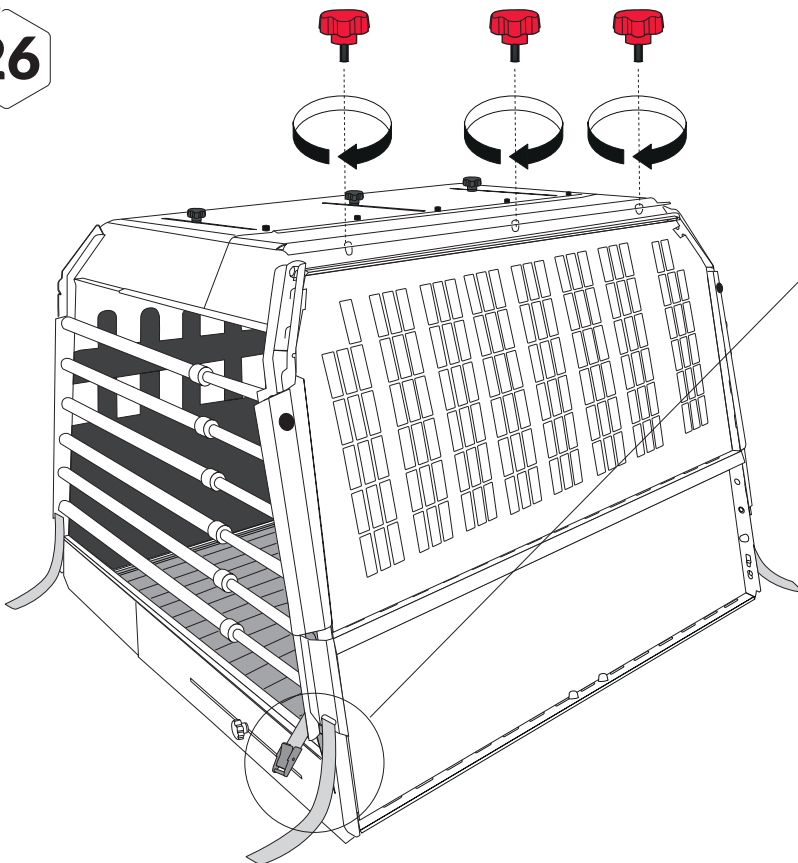
STEP
25



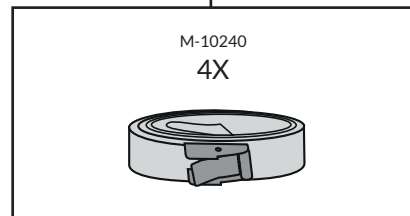
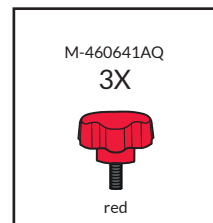
H Escape Hatch



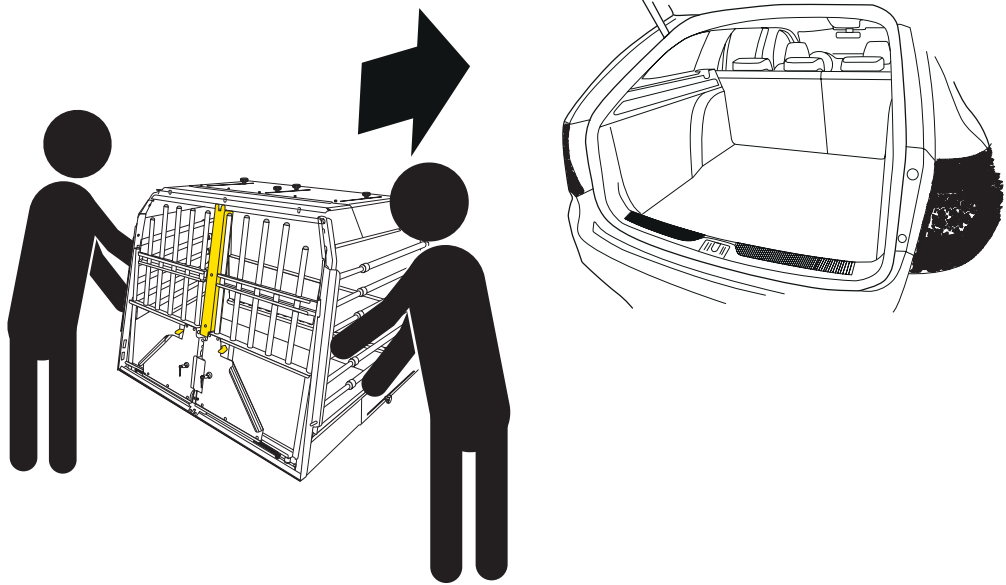
STEP
26



!
IMPORTANT!
The band must go through
both plates.



STEP
27



STEP
28

